



# STOURFLEX®

J & P Supplies Ltd

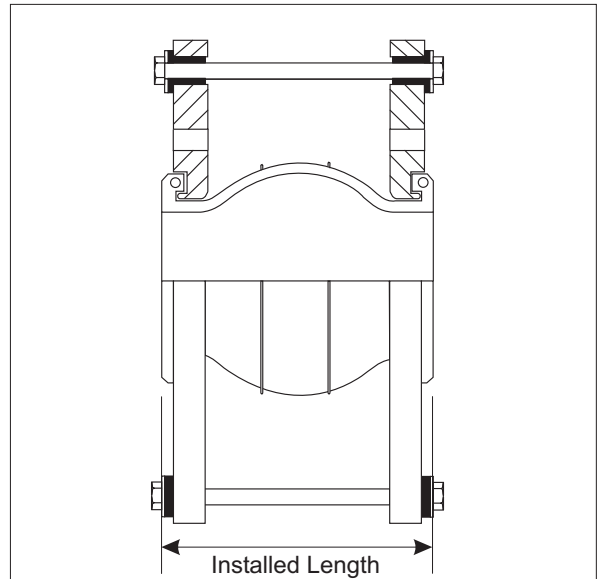
Expansion Joints & Pipeline Equipment

## Type JP04 Tied Rubber Bellows.

**Specification** Tied E.P.D.M. rubber bellows with nylon reinforced body and steel reinforced collar. Fitted with zinc plated carbon steel oval flanges complete with fully threaded tie bars and rubber top hat washers. Drilled to BS 4504 NP16.

**Application** Stourflex tied rubber bellows are designed to accommodate misalignment and lateral movement. They are also used to reduce noise and vibration from pumps and reciprocating machinery. The tie bar assembly will prevent pressure thrust and stress being transmitted onto pumps and associated pipework. They are suitable for chilled water and L.T.H.W. systems.

Maximum working temperature 82°C.  
 Maximum working pressure 16 Bar  
 Sizes 32mm to 300mm  
 Maximum working pressure 6 Bar  
 Sizes 350mm to 600mm  
 Stourflex rubber bellows should not be used at both their maximum working temperature and pressure respectively.  
 Maximum test pressure = 1.5 x working pressure or 1.5 x flange rating, whichever the lower.



Part Number.	N.B. (mm)	Installed Length.(mm)	Number of Tie Bars	Lateral Movement (mm)
JP04-32-16	32	95 / 150	2	8
JP04-40-16	40	95 / 150	2	8
JP04-50-16	50	105 / 150	2	8
JP04-65-16	65	115 / 150	2	8
JP04-80-16	80	150	2	13
JP04-100-16	100	150	2	13
JP04-125-16	125	150 / 170	2	13
JP04-150a-16	150	150	2	13
JP04-150b-16	150	180	2	13
JP04-200-16	200	150 / 205	2	19
JP04-250-16	250	205	2	19
JP04-300-16	300	205	4	19
JP04-350-16	350	205	4	19
JP04-400-16	400	205	4	19
JP04-450-16	450	205	4	19
JP04-500-16	500	205	4	19
JP04-600-16	600	254	4	19

Alternative flange drillings and materials are available on request.

Stourflex products should be installed in accordance with our fitting instructions.

Stourflex rubber bellows should be periodically inspected and replaced if any deterioration is evident.

09/2010/A4