



STOURFLEX®

J & P Supplies Ltd

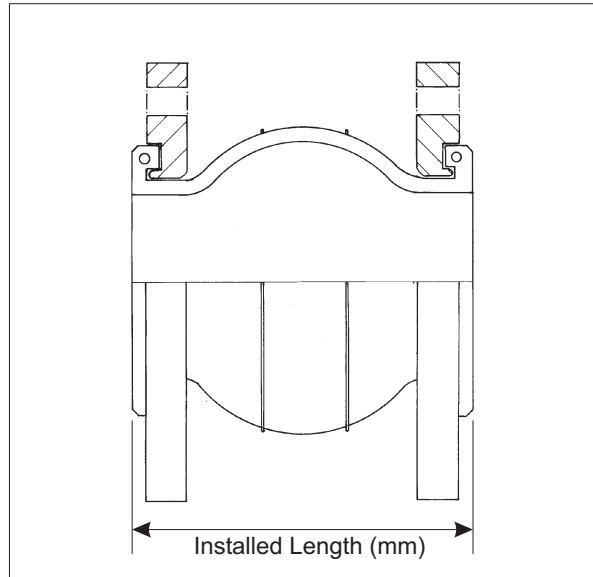
Expansion Joints & Pipeline Equipment

Type JP09 Untied Rubber Bellows. Oil Service. (Yellow)

Specification Untied Nitrile rubber bellows, with nylon reinforced body and steel reinforced collar. Fitted with zinc plated carbon steel swivel flanges drilled to BS. 4504 NP16.

Application Stourflex untied rubber bellows are designed to accommodate misalignment and both axial and lateral movement. They are also used to reduce noise and vibration from pumps and reciprocating machinery. They are suitable for fuel oil, diesel and petroleum applications.

Maximum working temperature 60°C.
 Maximum working pressure 16 Bar.
 Sizes 32mm - 300mm
 Maximum Working Pressure 6 Bar
 Sizes 350mm - 400mm
 Stourflex rubber bellows should not be used at both their maximum working temperature and pressure respectively.
 Maximum test pressure = 1.5 x working pressure or 1.5 x flange rating, whichever the lower.



Part Number	N.B. (mm)	Installed Length (mm)	Movement.			
			Compression. (mm)	Extension. (mm)	Lateral. (mm)	Angular.
JP09-32-16	32	130 / 150	13	9	13	15°
JP09-40-16	40	130 / 150	13	9	13	15°
JP09-50-16	50	130 / 150	13	9	13	15°
JP09-65-16	65	130 / 150	13	9	13	15°
JP09-80-16	80	130 / 150	13	9	13	15°
JP09-100-16	100	130 / 150	13	9	13	15°
JP09-125-16	125	130 / 150	13	9	13	15°
JP09-150-16	150	130 / 150	13	9	13	15°
JP09-200-16	200	130 / 205	13	9	13	15°
JP09-250-16	250	130 / 205	13	9	13	15°
JP09-300-16	300	130 / 205	13	9	13	15°
JP09-350-16	350	205	25	16	19	15°
JP09-400-16	400	205	25	16	19	15°

Where vacuum conditions or pressures and temperatures above those stated exist, please check with us the suitability of and effects on service life of Stourflex products.

Alternative flange drillings and materials are available on request.

Stourflex products should be installed in accordance with our fitting instructions.

Stourflex rubber bellows should be periodically inspected and replaced if any deterioration is evident.