



# STOURFLEX®

J & P Supplies Ltd

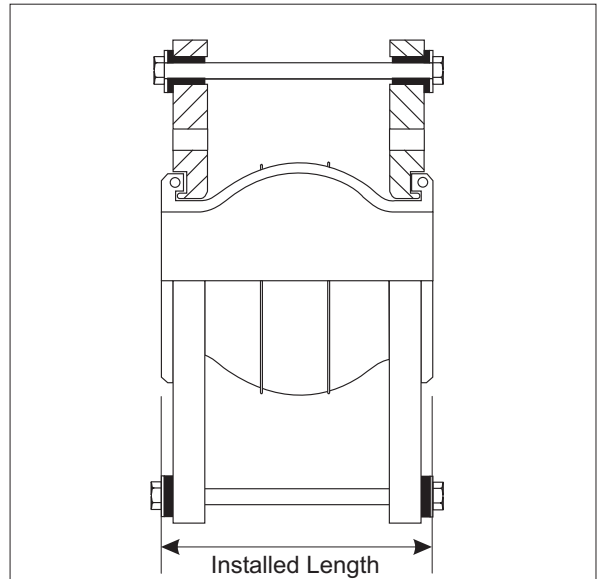
Expansion Joints & Pipeline Equipment

## Type JP14 Tied Rubber Bellows. Chemical Service. ( Green )

**Specification** Tied rubber bellows consisting of hypalon liner and neoprene cover, with nylon reinforced body and steel reinforced collar. Fitted with zinc plated carbon steel oval flanges complete with fully threaded tie bars and rubber top hat washers. Drilled to BS. 4504 NP16.

**Application** Stourflex tied rubber bellows are designed to accommodate misalignment and lateral movement. They are also used to reduce noise and vibration from pumps and reciprocating machinery. The tie bar assembly will prevent pressure thrust and stress being transmitted onto pumps and associated pipework. They are suitable for acids, alkalis and industrial chemical applications.

Maximum working temperature 60°C.  
 Maximum working pressure 16 bar.  
 Sizes 32mm - 300mm  
 Maximum working pressure 6 bar.  
 Sizes 350mm - 400mm  
 Stourflex rubber bellows should not be used at both their maximum working temperature and pressure respectively.  
 Maximum test pressure = 1.5 x working pressure or 1.5 x flange rating, whichever the lower.



Part Number.	N.B. (mm)	Installed Length. (mm)	Tie Bars.	Lateral Movement. (mm)
JP14-32-16	32	130	2	13
JP14-40-16	40	130	2	13
JP14-50-16	50	130	2	13
JP14-65-16	65	130	2	13
JP14-80-16	80	130	2	13
JP14-100-16	100	130	2	13
JP14-125-16	125	130	2	13
JP14-150-16	150	130	2	13
JP14-200-16	200	130	2	13
JP14-250-16	250	130	2	13
JP14-300-16	300	130	4	13
JP14-350-16	350	200	4	13
JP14-400-16	400	200	4	13

Where vacuum conditions or pressures and temperatures above those stated exist, please check with us the suitability of and effects on service life of Stourflex products.

Alternative flange drillings and materials are available on request.

Stourflex products should be installed in accordance with our fitting instructions.

Stourflex rubber bellows should be periodically inspected and replaced if any deterioration is evident.

09/2010/A14