



STOURFLEX®

J & P Supplies Ltd

Expansion Joints & Pipeline Equipment

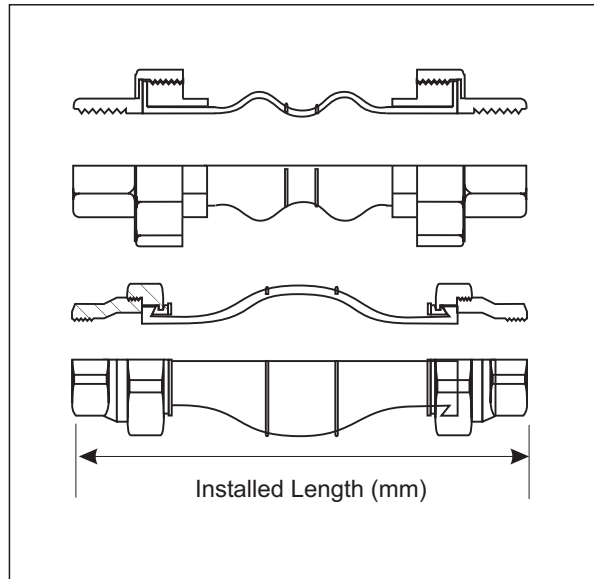
Type JP18 Twin Sphere Rubber Bellows Union Ends.

Type JP19 Single Sphere Rubber Bellows Union Ends.

Specification Union ended rubber bellows consisting of nylon reinforced body with E.P.D.M. liner and cover fitted with galvanized malleable iron female B.S.P. union ends.

Application Stourflex union ended rubber bellows are designed to offer a simple method of connecting small bore pumps and air conditioning equipment and are used to reduce noise and vibration. They are suitable for use on chilled water and low pressure heating systems.

Maximum working temperature 82°C.
 Maximum working pressure 10 bar.
 Stourflex union ended rubber bellows should not be used at their maximum working temperature and pressure respectively.
 Maximum test pressure = 1.5 x working pressure or 1.5 x end connection rating, whichever the lower.



Part Number.	N.B. (mm)	Minimum Installed Length. (mm)	Maximum Installed Length. (mm)	Maximum Working Cold Pressure (bar)	Maximum Cold Test Pressure (bar)
JP18/19 - 20	20	193	203	10	15
JP18/19 - 25	25	193	203	10	15
JP18/19 - 32	32	193	203	10	15
JP18/19 - 40	40	193	203	10	15
JP18/19 - 50	50	193	203	10	15

Where vacuum conditions or temperatures and pressures above those stated exist please check with us the suitability of and effects on service life of Stourflex products.

For applications where larger sizes of equipment require isolation please refer to the Stourflex range of flanged stainless steel pump connectors and rubber bellows.

Stourflex products should be installed in accordance with our fitting instructions.

Stourflex union ended rubber bellows should be periodically inspected and replaced if any deterioration is evident.