



STOURFLEX®

J & P Supplies Ltd

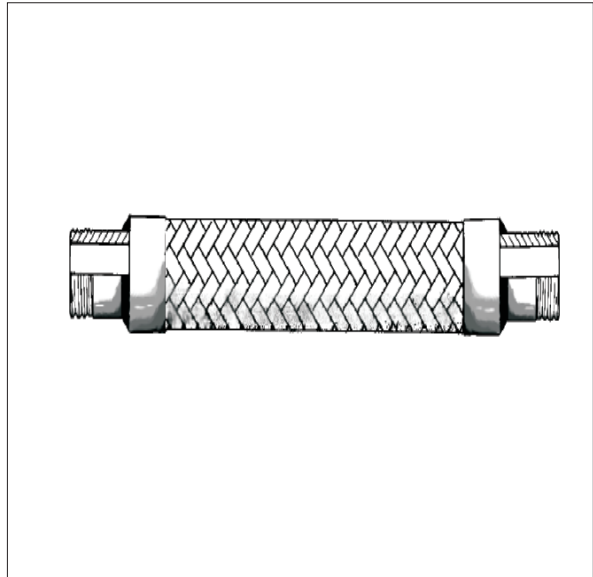
Expansion Joints & Pipeline Equipment

Type JP20 Stainless Steel Screwed Pump Connector.

Specification Stainless steel pump connector consisting of stainless steel convoluted hose grade 321, complete with stainless steel outer protective braid grade 304. Fitted with fixed stainless steel B.S.P.T. male end connections grade 316.

Application Stourflex stainless steel pump connectors are designed to reduce noise and vibration from pumps and reciprocating machinery. They are suitable for use on chilled water, L.T.H.W, M.T.H.W. and steam.

Maximum working temperature 300°C.
 Maximum working pressure 16 bar.
 Stourflex stainless steel pump connectors should not be used at both their maximum working temperature and pressure respectively.
 Maximum test pressure = 1.5 x working pressure or 1.5 x end connection rating, whichever the lower.



Certificate No: 0812078

Part Number.	N.B. (mm)	Installed Length (mm).	Movement ± (mm)	Max Working Pressure (bar) @ 120°C	Test Pressure (bar)
JP20-15	15	220	2	16	24
JP20-20	20	220	2	16	24
JP20-25	25	250	2	16	24
JP20-32	32	300	2	16	24
JP20-40	40	300	2	16	24
JP20-50	50	350	2	16	24

Screwed end connections available

- Suffix: B.S - Fixed stainless steel barrel nipple B.S.P.T
- B - Fixed carbon steel barrel nipple B.S.P.T
- H.S - Fixed stainless steel hex nipple B.S.P.T
- H - Fixed carbon steel hex nipple B.S.P.T

Please refer to Stourflex **Type JP250** stainless steel screwed universal movement hose assembly where larger movements or higher pressures are required.

All Stourflex products should be installed in accordance with our fitting instructions.

All hose lengths have a tolerance of up to 5%.