



# STOURFLEX®

J & P Supplies Ltd

Expansion Joints & Pipeline Equipment

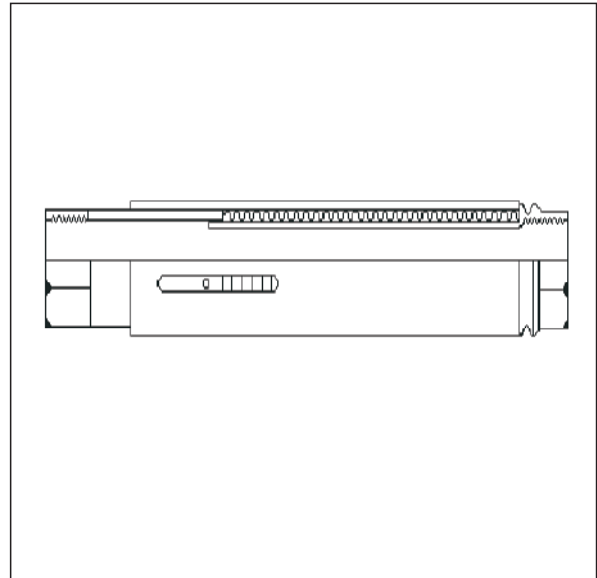
## Type JP113 Axial Expansion Joint Screwed.

**Specification** Axial expansion joint consisting of stainless steel grade 321 bellows assembly fitted with carbon steel female B.S.P. end connections. Complete with internal flow sleeve and white aluminium external protective sleeve. Fitted with movement indicator and limit clip.

**Application** Stourflex axial expansion joints are designed to accommodate pipe movements in an axial plane (straight runs) due to thermal expansion. They are suitable for L.T.H.W, M.T.H.W, steam and other hot liquids and gases.

The white aluminium external protective sleeve makes the **Type JP113** particularly suitable for use where pipework is visible inside occupied buildings.

Maximum working temperature 250°C.  
Maximum working pressure 10 bar at 200°C.  
Stourflex axial expansion joints should not be used at both their maximum working temperature and pressure respectively.  
Maximum test pressure = 1.5 x working pressure or 1.5 x end connection rating, whichever the lower.



Part Number	N.B. (mm)	Total Movement (-mm)	Overall Length (mm)	External Sleeve Outside Diameter (mm)	Effective Area (Cm <sup>2</sup> )	Working Pressure @200°C (bar)	Cold Test Pressure (bar)
<b>JP113-15</b>	<b>15</b>	<b>45</b>	<b>265</b>	<b>40</b>	<b>7</b>	<b>10</b>	<b>15</b>
<b>JP113-20</b>	<b>20</b>	<b>45</b>	<b>265</b>	<b>40</b>	<b>7</b>	<b>10</b>	<b>15</b>
<b>JP113-25</b>	<b>25</b>	<b>45</b>	<b>285</b>	<b>50</b>	<b>12</b>	<b>10</b>	<b>15</b>
<b>JP113-32</b>	<b>32</b>	<b>45</b>	<b>325</b>	<b>60</b>	<b>17</b>	<b>10</b>	<b>15</b>
<b>JP113-40</b>	<b>40</b>	<b>45</b>	<b>325</b>	<b>75</b>	<b>27</b>	<b>10</b>	<b>15</b>
<b>JP113-50</b>	<b>50</b>	<b>45</b>	<b>325</b>	<b>75</b>	<b>27</b>	<b>10</b>	<b>15</b>

White aluminium external protective sleeve complete with movement indicator and limit clip fitted as standard.

Remove limit clip after installation.

Supplied at maximum length do not extend.

Expansion joint convolutions should be protected from damage caused by rotational forces during installation.

Axial expansion joints must be securely anchored and adequately guided to ensure their correct performance.

Omitting anchors and guides may result in failure of the system.

Please refer to guidance notes for the correct use and installation of Stourflex axial expansion joints.

All Stourflex products should be installed in accordance with our fitting instructions.

09/2010/C2