



# STOURFLEX®

J & P Supplies Ltd

Expansion Joints & Pipeline Equipment

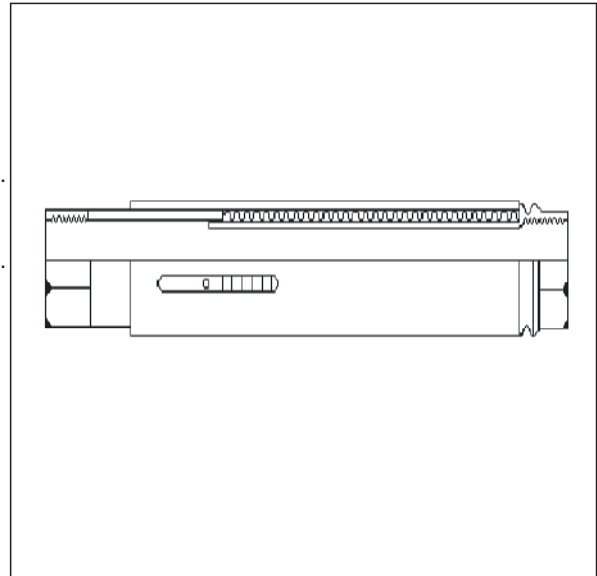
## Type JP114 Stainless Steel Axial Expansion Joint Screwed.

**Specification** Stainless steel axial expansion joint consisting of stainless steel grade 316 bellows assembly fitted with stainless steel grade 304 inner sleeve and female BSP end connections. Polished aluminium external sleeve with movement indicator and clip fitted as standard.

**Application** Stourflex axial expansion joints are designed to accommodate pipe movements in an axial plane (straight runs) due to thermal expansion. They are suitable for L.T.H.W, M.T.H.W, steam, condensate and other hot liquids and gases.

The **Type JP114** is manufactured to have all stainless steel wetted surfaces and is particularly suitable for copper or stainless steel pipework. The type JP114 is recommended for use on high pressure applications or installations where guiding proves difficult.

Maximum working temperature 250°C.  
Maximum working pressure 10 bar at 200°C.  
Stourflex axial expansion joints should not be used at both their maximum working temperature and pressure respectively.  
Maximum test pressure = 1.5 x working pressure or 1.5 x end connection rating, whichever the lower.



Certificate No: 1007052

Part Number	N.B. (mm)	Total Movement (-mm)	Overall Length (mm)	External Sleeve Outside Diameter (mm)	Effective Area (Cm <sup>2</sup> )	Working Pressure @200°C (bar)	Cold Test Pressure (bar)
<b>JP114-15</b>	<b>15</b>	<b>45</b>	<b>260</b>	<b>40</b>	<b>7</b>	<b>10</b>	<b>15</b>
<b>JP114-20</b>	<b>20</b>	<b>45</b>	<b>260</b>	<b>40</b>	<b>7</b>	<b>10</b>	<b>15</b>
<b>JP114-25</b>	<b>25</b>	<b>45</b>	<b>285</b>	<b>50</b>	<b>12</b>	<b>10</b>	<b>15</b>
<b>JP114-32</b>	<b>32</b>	<b>45</b>	<b>320</b>	<b>60</b>	<b>17</b>	<b>10</b>	<b>15</b>
<b>JP114-40</b>	<b>40</b>	<b>45</b>	<b>320</b>	<b>75</b>	<b>27</b>	<b>10</b>	<b>15</b>
<b>JP114-50</b>	<b>50</b>	<b>45</b>	<b>320</b>	<b>75</b>	<b>27</b>	<b>10</b>	<b>15</b>

Polished aluminium external protective sleeve complete with movement indicator and limit clip fitted as standard.

Remove limit clip after installation.

Supplied at maximum length do not extend.

Expansion joint convolutions should be protected from damage caused by rotational forces during installation.

Axial expansion joints must be securely anchored and adequately guided to ensure their correct performance.

Omitting anchors and guides may result in failure of the system.

Please refer to guidance notes for the correct use and installation of Stourflex axial expansion joints.

All Stourflex products should be installed in accordance with our fitting instructions.

01/2011/C3