



STOURFLEX®

J & P Supplies Ltd

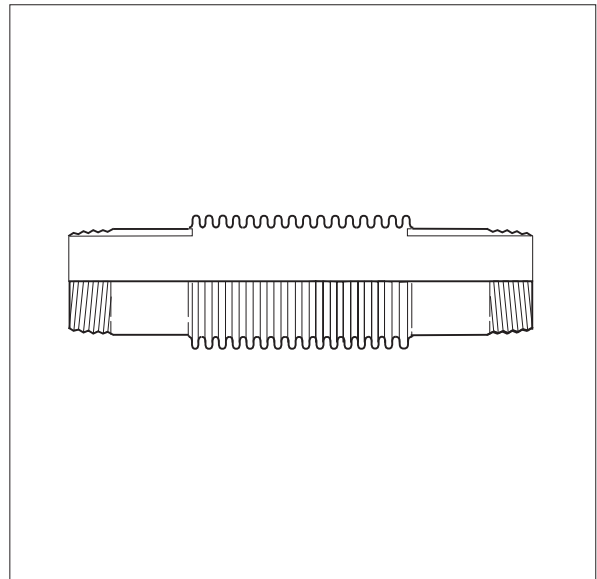
Expansion Joints & Pipeline Equipment

Type JP115 Stainless Steel Axial Expansion Joint Screwed.

Specification Axial expansion joint consisting of stainless steel grade 316 bellows assembly fitted with stainless steel grade 316 male B.S.P.T. end connections.

Application Stourflex axial expansion joints are designed to accommodate pipe movements in an axial plane (straight runs) due to thermal expansion. The **Type JP115** is manufactured to have all stainless steel wetted surfaces and is suitable for use on non ferrous pipework installations including L.T.H.W., M.T.H.W., steam and other hot liquids and gases.

Maximum working temperature 300°C.
Maximum working pressure 6 bar at 120°C.
Stourflex axial expansion joints should not be used at both their maximum working temperature and pressure respectively.
Maximum test pressure = 1.5 x working pressure or 1.5 x end connection rating, whichever the lower.



Certificate No: 0904700

Part Number	N.B. (mm)	Total Movement (-mm)	Overall Length (mm)	External Sleeve Outside Diameter (mm)	Force to Compress (N / mm)	Effective Area ² (Cm)	Working Pressure @120°C (bar)	Cold Test Pressure (bar)
JP115-15	15	25	182	42	30	7	6	9
JP115-20	20	25	182	42	30	7	6	9
JP115-25	25	30	185	47	60	10	6	9
JP115-32	32	30	200	56	60	15	6	9
JP115-40	40	30	215	66	70	22	6	9
JP115-50	50	50	247	91	85	35	6	9
JP115-65	65	50	283	110	126	62	6	9

Stourflex **Type JP115** axial expansion joints are available with internal and external sleeves as required.

Suffix : I.S. - Fitted with internal flow sleeve stainless steel grade 316.
E.S. - Fitted with external telescopic protective sleeve carbon steel.

Stourflex axial expansion joints are supplied at their maximum overall length and must not be extended.

Expansion joint convolutions should be protected from damage caused by rotational forces during installation.

Axial expansion joints must be securely anchored and adequately guided to ensure their correct performance.

Omitting anchors and guides may result in failure of the system.

Please refer to guidance notes for the correct use and installation of Stourflex axial expansion joints.

All Stourflex products should be installed in accordance with our fitting instructions.