



STOURFLEX®

J & P Supplies Ltd

Expansion Joints & Pipeline Equipment

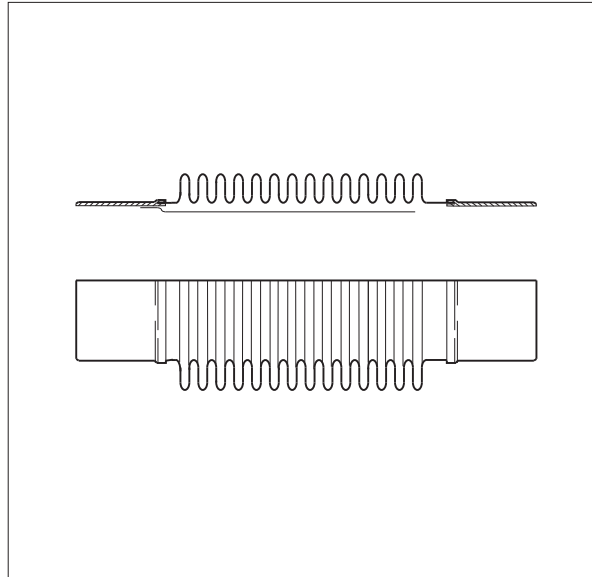
Type JP118 Axial Expansion Joint Weld End.

Specification Axial expansion joint consisting of stainless steel grade 321 bellows assembly fitted with carbon steel weld pipe ends.

Application Stourflex axial expansion joints are designed to accommodate pipe movements in an axial plane (straight runs) due to thermal expansion. They are suitable for use on L.T.H.W.,M.T.H.W.,H.T.H.W., steam and other hot liquids and gases.

Maximum working temperature 300°C.
Maximum working pressure 16 bar at 120°C.

Stourflex axial expansion joints should not be used at both their maximum working temperature and pressure respectively. Maximum test pressure = 1.5 x working pressure or 1.5 x end connection rating, whichever the lower.



Part Number	N.B. (mm)	Total Movement (mm)	Overall Length (mm)	Force to Compress (N / mm)	Effective Area (Cm ²)	Working Pressure 120°C (bar)	Cold Test Pressure (bar)
JP118-25	25	+10 - 20	210	50	16	16	24
JP118-32	32	+10 - 20	215	50	18	16	24
JP118-40	40	+10 - 20	220	60	23	16	24
JP118-50	50	+10 - 20	210	104	37	16	24
JP118-65	65	+20 - 40	295	44	58	16	24
JP118-80	80	+20 - 40	290	89	79	16	24
JP118-100	100	+20 - 40	300	126	128	16	24
JP118-125	125	+20 - 40	310	160	183	16	24
JP118-150	150	+20 - 40	325	217	268	16	24
JP118-200	200	+20 - 40	345	347	437	16	24
JP118-250	250	+20 - 40	335	295	705	16	24
JP118-300	300	+20 - 40	340	248	984	16	24

Stainless steel grade 321 internal flow sleeve fitted as standard. External protective sleeve available on request.

Where service conditions above 300°C or 16 bar exist or where additional movement is required non standard variations of the **Type JP118** are available if required.

Stourflex axial expansion joints are supplied at their neutral length shown above and may be extended on installation (cold draw) to achieve total movement. Do not exceed total movement.

Axial expansion joints must be securely anchored and adequately guided to ensure their correct performance. Omitting anchors and guides may result in failure of the system.

All Stourflex products should be installed in accordance with our fitting instructions.