



# STOURFLEX®

J & P Supplies Ltd

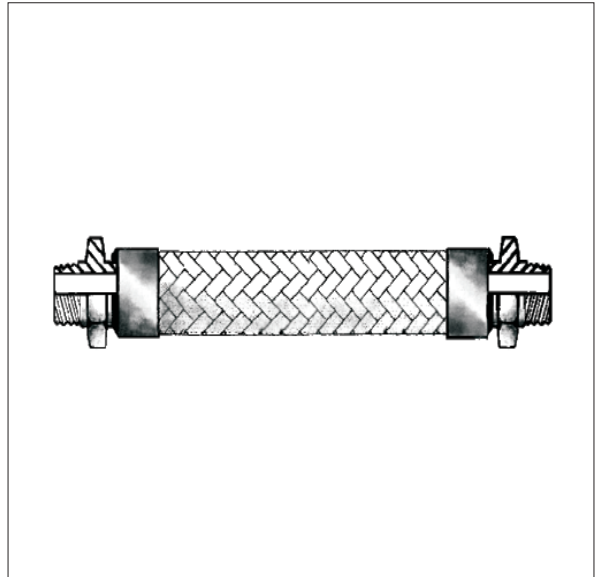
Expansion Joints & Pipeline Equipment

## Type JP250 Stainless Steel Universal Hose Assembly.

**Specification** Stainless steel screwed universal hose assembly consisting of stainless steel convoluted hose grade 321, complete with stainless steel outer protective braid grade 304. Fitted with fixed carbon steel male B.S.P.T. end connections.

**Application** Stourflex stainless steel universal hose assemblies are designed to absorb vibration, accommodate misalignment and lateral movement. They will provide the flexing movements required when piping up to non static machinery or equipment. In addition these assemblies can be used as final connections to oil or gas burners and other general pipework duties including sprinkler racking systems etc. For use on chilled water, L.T.H.W, M.T.H.W, H.T.H.W, steam, oil, compressed air and other hot liquids and gases.

Maximum working temperature 300°C.  
 Maximum working pressure see table below.  
 Stourflex stainless steel universal hose assemblies should not be used at both their maximum working temperature and pressure respectively.  
 Maximum test pressure = 1.5 x working pressure or 1.5 x end connection rating, whichever the lower.



Certificate No: 0812078

Part Number	N.B. (mm)	Minimum Static Bend Radius (mm)	Installed Length (mm).				Max. Working Pressure (bar) 120°C	Test Pressure (bar)
			300	450	600	1000		
			± Move.	± Move.	± Move.	± Move.		
JP250-15	15	32	38	134	270	670	76	114
JP250-20	20	38	24	96	206	592	68	102
JP250-25	25	45	14	68	160	520	54	81
JP250-32	32	58	12	60	140	478	46	69
JP250-40	40	70	6	42	108	408	36	54
JP250-50	50	85	4	34	90	358	33	50
JP250-65	65	105	1	18	62	280	30	45
JP250-80	80	180	0	8	34	180	24	36

Screwed end connections available.

Suffix.: B.S. - Fixed stainless steel barrel nipple B.S.P.T.  
 B. - Fixed carbon steel barrel nipple B.S.P.T.  
 H.S. - Fixed stainless steel hex head barrel nipple B.S.P.T.  
 H.- Fixed carbon steel hex head nipples B.S.P.T.  
 F.F.S - Swivel stainless steel flat face female B.S.P.P.  
 F.F. - Swivel carbon steel flat face female B.S.P.P.

Alternative hose lengths and end connections are available on request.

For applications requiring larger sizes or flanged connections the **Type JP251** stainless steel universal hose assembly should be selected.

Please refer to guidance notes for the correct use and installation of Stourflex stainless steel universal hose assemblies.

All Stourflex products should be installed in accordance with our fitting instructions.

All hose lengths have a tolerance of up to 5%.

09/2010/D5