



STOURFLEX®

J & P Supplies Ltd

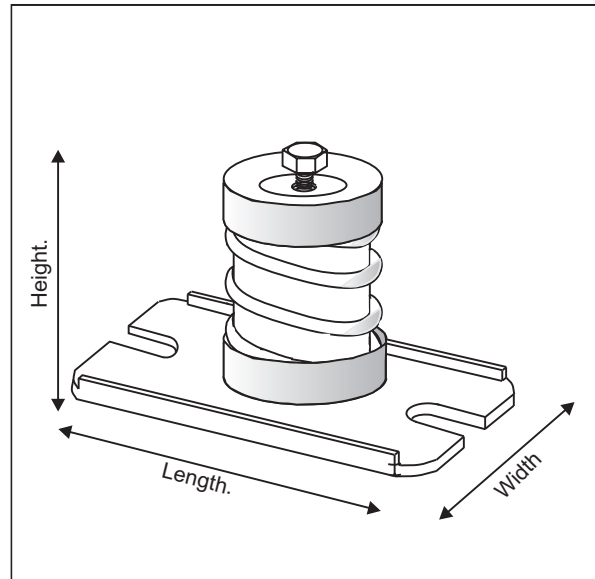
Expansion Joints & Pipeline Equipment

Type JP 361 Open Spring Mount.

Specification Open spring mount consisting of helical steel spring held between pressed steel caps bonded with visco-elastic resin. Top cap fitted with fixing / levelling bolt. Complete with zinc passivated bottom cap and base plate fitted with foam rubber anti-skid pad.

Application Stourflex open spring mounts are designed to reduce noise and vibration on pumps, fans, chillers, air handling equipment and other small items of machinery.

The **Type JP 361** open spring mounts can be used with Stourflex **Type JP 360** Inertia bases when required.



Part Number.	Maximum Load at 15mm Deflection. (Kg)	Maximum Load at 25mm Deflection. (Kg)	Length. (mm)	Width. (mm)	Height. (mm)	Fixing Levelling Bolt Size. (mm)
JP361 - 50	30	50	106	63	75	M8
JP361 - 100	60	100	106	63	75	M8
JP361 - 125	80	125	106	63	75	M8

Part Number.	Maximum Load at 25mm Deflection. (Kg)	Maximum Load at 35mm Deflection. (Kg)	Length. (mm)	Width. (mm)	Height. (mm)	Fixing Levelling Bolt Size. (mm)
JP361 - 150	100	150	128	86	115	M12
JP361 - 200	150	200	128	86	115	M12
JP361 - 250	175	250	128	86	115	M12
JP361 - 350	250	350	128	86	115	M12
JP361 - 450	325	450	128	86	115	M12

Where higher load ratings or greater deflections are required non standard variations of the **Type JP 361** open spring mounts are available on request.

Where an enclosed spring mount is required the **Type JP 362** should be selected.

Stourflex open spring mounts should be sized and positioned to equally distribute and balance the load and deflection on the item of plant or equipment requiring isolation.

Stourflex products should be installed in accordance with our fitting instructions.