



STOURFLEX®

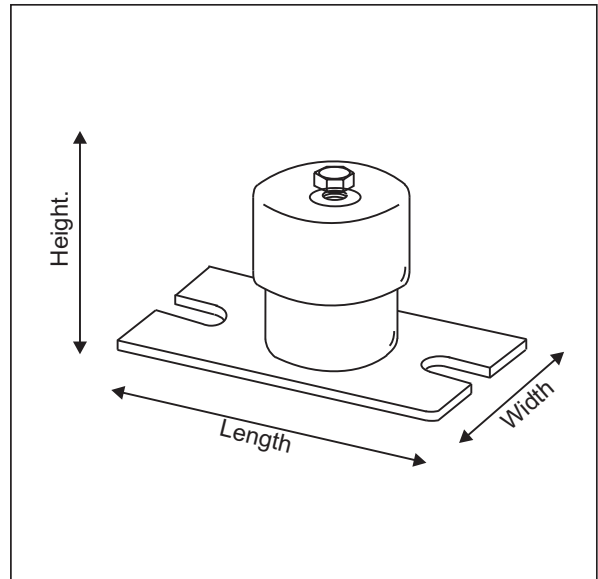
J & P Supplies Ltd

Expansion Joints & Pipeline Equipment

Type JP 362 Captive Spring Mount.

Specification Captive spring mount consisting of a single or multiple helical steel spring enclosed within pressed steel top and bottom cups. Top cup complete with pressure plate and fixing / levelling bolt. Neoprene washer and "O" ring acting as a snubber and sealing ring. Base plate fitted with neoprene anti-skid plate. All metal surfaces are zinc passivated.

Application Stourflex captive spring mounts are designed to reduce noise and vibration on pumps, fans, chillers, air handling equipment, generators and engines.



Part Number.	Maximum Load at 15mm Deflection. (Kg)	Maximum Load at 25mm Deflection. (Kg)	Length. (mm)	Width. (mm)	Height. (mm)	Fixing Levelling Bolt Size. (mm)
JP362 - 50	35	50	85	45	70	M8
JP362 - 100	75	100	85	45	70	M8
JP362 - 200	150	200	160	100	75	M12
JP362 - 300	225	300	160	100	75	M12
JP362 - 500	375	500	160	100	75	M12

Where higher load ratings or greater deflections are required non standard variations of the **Type JP 362** captive spring mounts are available on request.

Where an open spring mount is required the **Type JP 361** should be selected.

Stourflex captive spring mounts should be sized and positioned to equally distribute and balance the load and deflection on the item of plant or equipment requiring isolation.

Stourflex products should be installed in accordance with our fitting instructions.