



STOURFLEX®

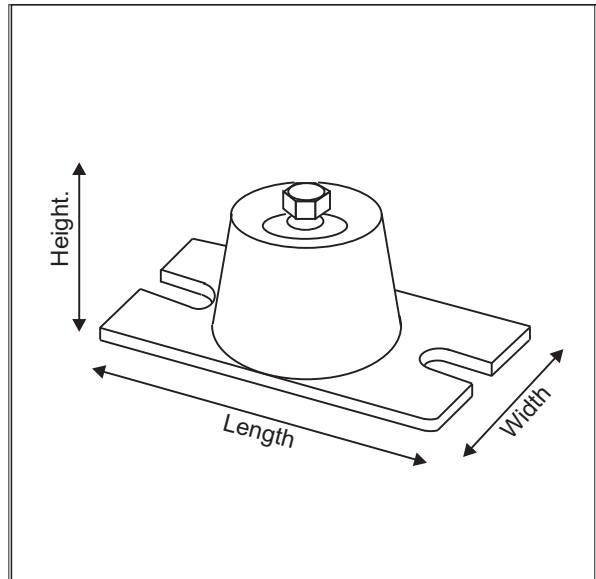
J & P Supplies Ltd

Expansion Joints & Pipeline Equipment

Type JP 363 Neoprene Turret Mount.

Specification Neoprene rubber turret mount consisting of cone shaped body with steel fixing levelling bolt moulded into top cone, and steel support plate moulded into the base. Ribbed anti-skid underside of base.

Application Stourflex neoprene turret mounts are designed to provide a simple method of reducing noise and vibration on pumps, fans, chillers, air handling equipment and other small items of machinery.



Part Number.	Maximum Load. (Kg)	Deflection. (mm)	Length. (mm)	Width. (mm)	Height. (mm)	Fixing Levelling Bolt Size. (mm)
JP363 - A	100	8	80	40	37	M8
JP363 - B	300	14	102	57	46	M10
JP363 - C	750	20	140	84	66	M12

Where higher load ratings or greater deflections are required please refer to the Stourflex Type JP 361 open spring mount.

Stourflex neoprene turret mounts should be sized and positioned to equally distribute and balance the load and deflection on the item of plant or equipment requiring isolation.

Stourflex products should be installed in accordance with our fitting instructions.