



STOURFLEX®

J & P Supplies Ltd

Expansion Joints & Pipeline Equipment

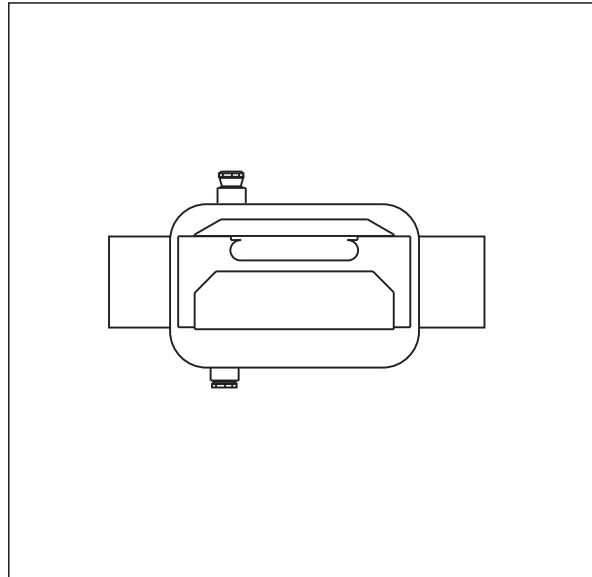
Type JP501 Air Separator Screwed.

Specification Micro Bubble Air Separator manufactured from corrosion resistant 316L stainless steel fitted with stainless steel female bspt sockets.

Application Stourflex Nonair micro bubble air separators are designed to remove air from circulating heating and chilled water systems.

Maximum working temperature 110 °C.
 Maximum working pressure 10 Bar.
 Maximum test pressure = 1.5 x working pressure.

For efficient air removal separators should be line size.



Part Number	N.B. (mm)	Installed Length (mm)	Body Diameter Excluding Air Vent and Drain Valve (mm)	Dry Weight (Kg)	Volume (Litre)	Air Vent / Drain Connections Female bsp (")
JP501-20	20	140	70	0.6	0.5	½
JP501-25	25	145	70	0.6	0.5	½
JP501-32	32	180	90	1.0	0.8	½
JP501-40	40	180	90	1.0	0.8	½
JP501-50	50	330	129	1.9	3.0	½

Stainless Steel Automatic Air Vents and Shut Off Valves are available for all Stourflex Nonair Separators.

For larger pipe diameters or where dirt separation or a built in strainer is required please refer to the Stourflex Nonair **Type JP502, JP503 and JP504.**

Please refer to guidance notes for the correct use and installation of Stourflex Nonair Separators.

Installed lengths may vary, if an exact installation length is required please check at time of order.