



J & P Supplies Ltd

Stourflex Expansion Joints & Pipeline Equipment
 Junction Road, Audnam Stourbridge, West Midlands DY8 4YH



Tel: 01384 393329
 E-Mail: info@jpsupplies.co.uk

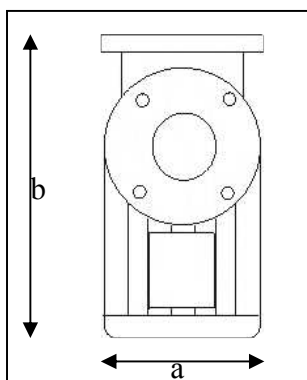


Fax: 01384 440212
 Website: www.stourflex.co.uk

Inertia Base Enquiry Questionnaire – Fax No 01384 440 212

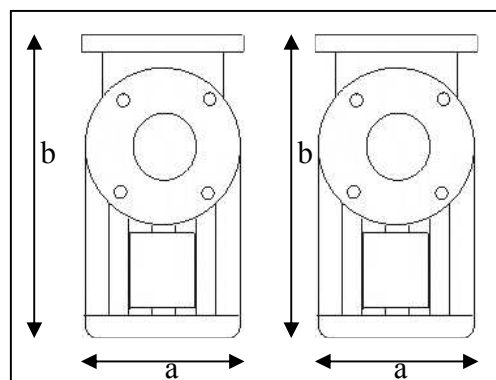
Contact: _____	Pump Make: _____
Telephone No: _____	Pump Model: _____
Fax Number: _____	Page: _____
E-Mail: _____	Date: _____
Customer: _____	Project: _____
Address: _____	Number Of Pumps Per Base: _____

One Pump Per Base
(Duty)



Pump Dimensions
 a = (mm)
 b = (mm)
 Height
 h = (mm)
 Gross Weight
 w = (kg)

Two Pumps Per Base
(Duty / Standby)



<u>Pump Dimensions</u>	Duty	<u>Pump Dimensions</u>	Standby
a = (mm)	a = (mm)	a = (mm)	a = (mm)
b = (mm)	b = (mm)	b = (mm)	b = (mm)
Height	Height	Height	Height
h = (mm)	h = (mm)	h = (mm)	h = (mm)
Gross Weight	Gross Weight	Gross Weight	Gross Weight
w = (kg)	w = (kg)	w = (kg)	w = (kg)

Please Visit Our New Website @ WWW.STOURFLEX.CO.UK
 A Wholly Owned Subsidiary Of John Hall & Co. Of Stourbridge. Registered In England 438581